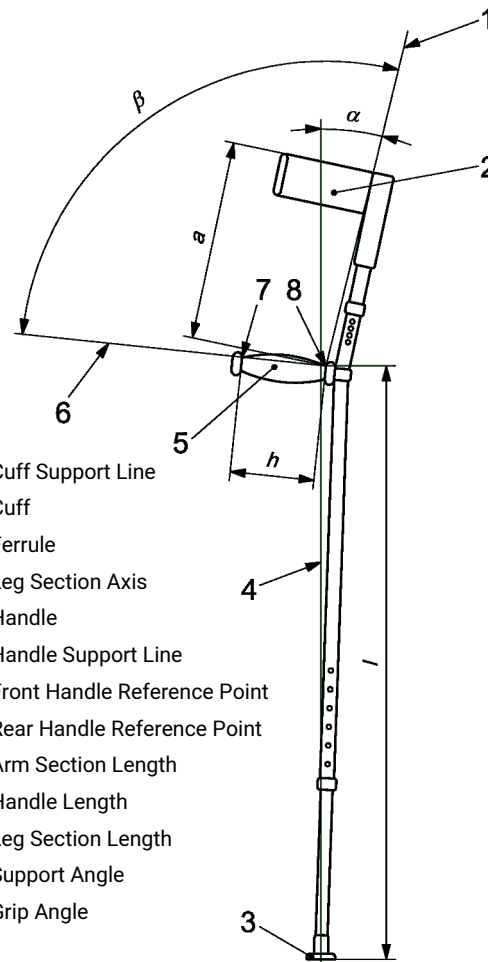


- Description:** Elbow crutch comfortable for medium to long term use
- Type:** Open cuff
- Tube finish:** Anodised matt 15 microns (μ)
- Colours:** Available in natural and various matt colours
- Plastics:** Black
- Structure:** "Backbone" of aluminium tube; injection moulded polypropylene cuff / handle and polyethylene sundry parts

| | | |
|-----------------------------|----------|----------|
| Support angle (α): | 16° | |
| Grip angle (β): | 103° | |
| Arm section length (a): | 230 mm | |
| Mass: | Ferrules | |
| | Smart | Standard |
| | 605 g | 585 g |
| Max. weight of user: | 120 kg | |

| | | |
|--|--|--------------|
| Leg section length adjustment (l): | Adjustable to 10 different lengths (25 mm apart) | |
| Leg section length (l): | Ferrules | |
| | Smart | Standard |
| | 703 - 927 mm | 703 - 927 mm |
| Punch: | Single; double by arrangement | |



- Key**
- 1 Cuff Support Line
 - 2 Cuff
 - 3 Ferrule
 - 4 Leg Section Axis
 - 5 Handle
 - 6 Handle Support Line
 - 7 Front Handle Reference Point
 - 8 Rear Handle Reference Point
 - a Arm Section Length
 - h Handle Length
 - l Leg Section Length
 - α Support Angle
 - β Grip Angle

Label: Batch No. & Batch production date; Maximum weight = 120 Kg; Name and address of manufacturer

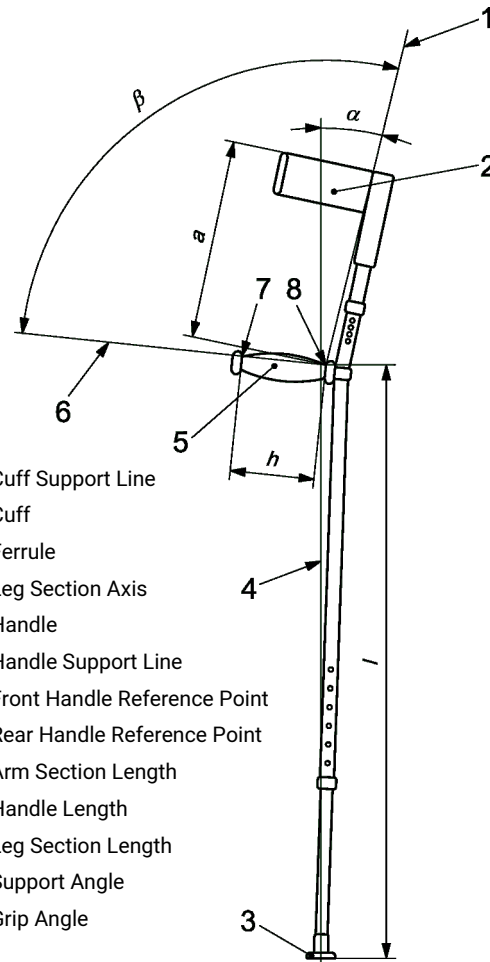
Other Indications: Manufacturer's logo imprinted in cuff

Tolerances: Allow for +/- 2% deviation of all stated measurements

| Fittings | | |
|---------------------------|--|----------|
| Cuff: | Made of polypropylene | |
| Handle: | Made of polypropylene | |
| | Fitted with Supersoft grip (only available on adult crutches) | |
| Ferrule: | Smart or Standard | |
| | Designed for maximum adherence. Fitted inside with anti-perforation ring | |
| | Replaceable | |
| Upper Tube | | |
| Length: | 750 mm | |
| Outside diameter: | 25.4 mm | |
| Mass: | 229 g | |
| Height adjustment: | X 10 holes | |
| Plastics: | Fitted with plastic slide at lower end for noise and vibration reduction | |
| Lower Tube | | |
| Length: | Ferrule | |
| | Smart | Standard |
| | 470 mm | 470 mm |
| Outside diameter: | 21.6 mm | |
| Mass: | Ferrule | |
| | Smart | Standard |
| | 170 g | 150 g |
| Height adjustment: | Fitted with plated spring clip | |
| Plastics: | Fitted with plug at upper end for noise and vibration reduction | |
| Ferrule: | Fitted with ferrule plug at lower end | |

- Description:** Elbow crutch comfortable for medium to long term use
- Type:** Open cuff
- Tube finish:** Anodised matt 15 microns (μ)
- Colours:** Available in natural and various matt colours
- Plastics:** Black
- Structure:** "Backbone" of aluminium tube; injection moulded polypropylene cuff / handle and polyethylene sundry parts

| | | | |
|-----------------------------|--------|--|--|
| Support angle (α): | 16° | Leg section length adjustment (l): | Adjustable to 10 different lengths (25 mm apart) |
| Grip angle (β): | 103° | Leg section length (l): | Standard Ferrule |
| Arm section length (a): | 190 mm | | 510 - 730 mm |
| Mass: | 385 g | Punch: | Single; double by arrangement |
| Max. weight of user: | 80 kg | | |



Key

- 1 Cuff Support Line
- 2 Cuff
- 3 Ferrule
- 4 Leg Section Axis
- 5 Handle
- 6 Handle Support Line
- 7 Front Handle Reference Point
- 8 Rear Handle Reference Point
- a Arm Section Length
- h Handle Length
- l Leg Section Length
- α Support Angle
- β Grip Angle

| Fittings | |
|---------------------------|--|
| Cuff: | Made of polypropylene |
| Handle: | Made of polypropylene |
| | Fitted with Supersoft grip (only available on adult crutches) |
| Ferrule: | Standard |
| | Designed for maximum adherence. Fitted inside with anti-perforation ring |
| | Replaceable |
| Upper Tube | |
| Length: | Aluminium 6063T6 |
| Outside diameter: | 750 mm |
| Mass: | 25.4 mm |
| Height adjustment: | 160 g |
| Plastics: | X 10 holes |
| | Fitted with plastic slide at lower end for noise and vibration reduction |
| Lower Tube | |
| Length: | Aluminium 6063T6 |
| Outside diameter: | 440 mm |
| Mass: | 21.6 mm |
| Height adjustment: | 125 g |
| Plastics: | Fitted with plated spring clip |
| | Fitted with plug at upper end for noise and vibration reduction |
| Ferrule: | Fitted with ferrule plug at lower end |

Label: Batch No. & Batch production date; Maximum weight = 80 Kg; Name and address of manufacturer

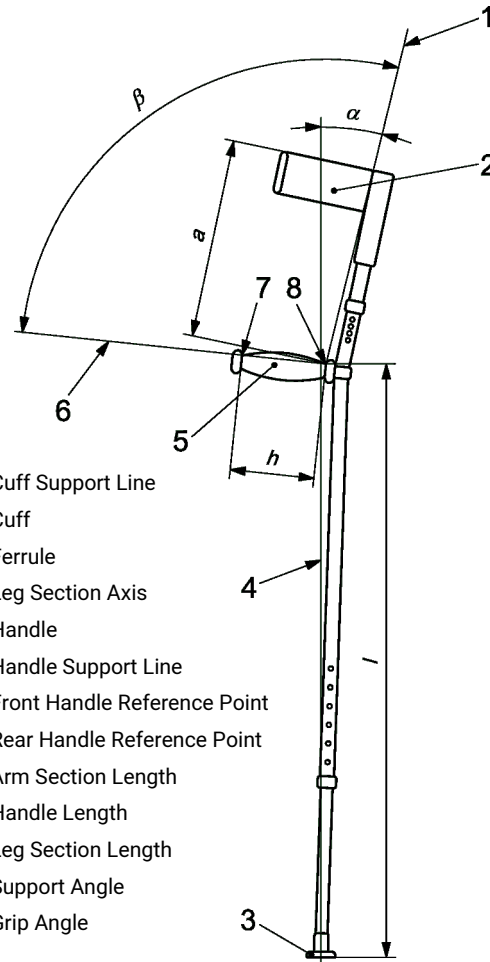
Other Indications: Manufacturer's logo imprinted in cuff

Tolerances: Allow for +/- 2% deviation of all stated measurements

- Description:** Elbow crutch comfortable for medium to long term use
- Type:** Open cuff
- Tube finish:** Anodised matt 15 microns (μ)
- Colours:** Available in natural and various matt colours
- Plastics:** Black
- Structure:** "Backbone" of aluminium tube; injection moulded polypropylene cuff / handle and polyethylene sundry parts

| | | | |
|-----------------------------|--------|--|--|
| Support angle (α): | 16° | Leg section length adjustment (l): | Adjustable to 10 different lengths (25 mm apart) |
| Grip angle (β): | 103° | Leg section length (l): | Standard Ferrule |
| Arm section length (a): | 190 mm | | 410 - 630 mm |
| Mass: | 385 g | Punch: | Single; double by arrangement |
| Max. weight of user: | 60 kg | | |

PAEDIATRIC



Key

- 1 Cuff Support Line
- 2 Cuff
- 3 Ferrule
- 4 Leg Section Axis
- 5 Handle
- 6 Handle Support Line
- 7 Front Handle Reference Point
- 8 Rear Handle Reference Point
- a Arm Section Length
- h Handle Length
- l Leg Section Length
- α Support Angle
- β Grip Angle

| Fittings | |
|---------------------------|--|
| Cuff: | Made of polypropylene |
| Handle: | Made of polypropylene |
| | Fitted with Supersoft grip (only available on adult crutches) |
| Ferrule: | Standard |
| | Designed for maximum adherence. Fitted inside with anti-perforation ring |
| | Replaceable |
| Upper Tube | |
| Length: | Aluminium 6063T6 |
| Outside diameter: | 480 mm |
| Mass: | 25.4 mm |
| Height adjustment: | 146 g |
| Plastics: | X 10 holes |
| | Fitted with plastic slide at lower end for noise and vibration reduction |
| Lower Tube | |
| Length: | Aluminium 6063T6 |
| Outside diameter: | 360 mm |
| Mass: | 21.6 mm |
| Height adjustment: | 115 g |
| Plastics: | Fitted with plated spring clip |
| | Fitted with plug at upper end for noise and vibration reduction |
| Ferrule: | Fitted with ferrule plug at lower end |

Label: Batch No. & Batch production date; Maximum weight = 60 Kg; Name and address of manufacturer

Other Indications: Manufacturer's logo imprinted in cuff

Tolerances: Allow for +/- 2% deviation of all stated measurements